

**Ruggedized, High Temperature (175 °C) PMT for Oil Well Logging (MWD)
28 mm (1-1/8 Inch) Diameter, 107 mm Length, 11-stage, Head-on Type**

SPECIFICATIONS

GENERAL

Parameter		Description/Value	Unit
Spectral Response		300 to 600	nm
Wavelength of Maximum Response		400	nm
Photocathode	Material	High temp. Bialkali	—
	Minimum Effective Area	25	mm dia.
Window Material		Borosilicate glass	—
Dynode	Structure	Linear focused	—
	Material	Beryllium copper	—
	Number of Stages	11	—
Ambient Temperature		- 80 to + 175	°C

CHARACTERISTICS(at 25°C)

Parameter		Min.	Typ.	Max.	Unit
Cathode Sensitivity	Luminous(2856K)	30	50	—	μ A/lm
	Blue(CS-5-58 filter)	9	11	—	μ A/lm
Anode Sensitivity and Dark Current	Sensitivity	30			A/lm
	Voltage	—	1550	1800	V
	Dark Current	—	0.5	2	nA
High Temp. Plateau		—	1600	—	V
Time Response	Anode Pulse Rise Time	—	4	—	ns
	Electron Transit Time	—	30	—	ns

NOTE: Characteristics are measured with the voltage distribution ratio shown below

VOLTAGE DISTRIBUTION RATIO AND SUPPLY VOLTAGE

Electrodes	K	Dy1	Dy2	Dy3	Dy4	Dy5	Dy6	Dy7	Dy8	Dy9	Dy10	Dy11	A
Ratio	1	1	1	1	1	1	1	1	1	1	1	1	1

Supply Voltage:1500Vdc, K:Cathode, Dy:Dynode, A:Anode

Subject to local technical requirements and regulations, availability of products included in this promotional material may vary .Please consult with our sales office.!

Information furnished by BEIJING ENERGY is believed to be reliable. However, no responsibility is assumed for possible inaccuracies or omissions. Specifications are subject to change without notice. No patent rights are granted to any of the circuits described herein.

PHOTOMULTIPLIER TUBE GDB29-01

Figure 1: Typical Spectral Response

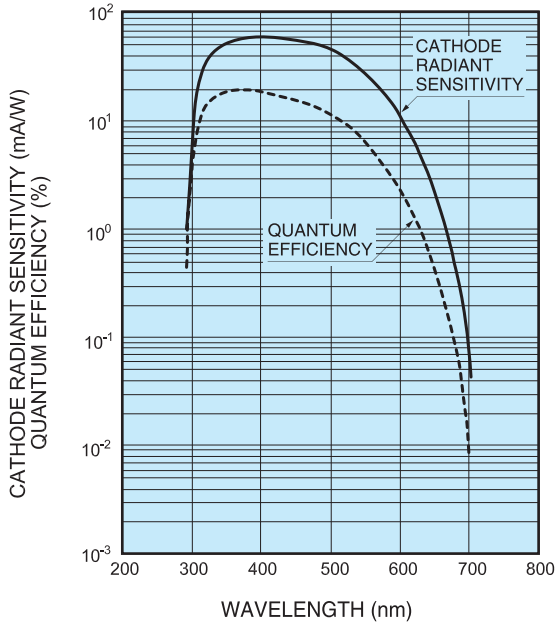


Figure 2: Typical Gain

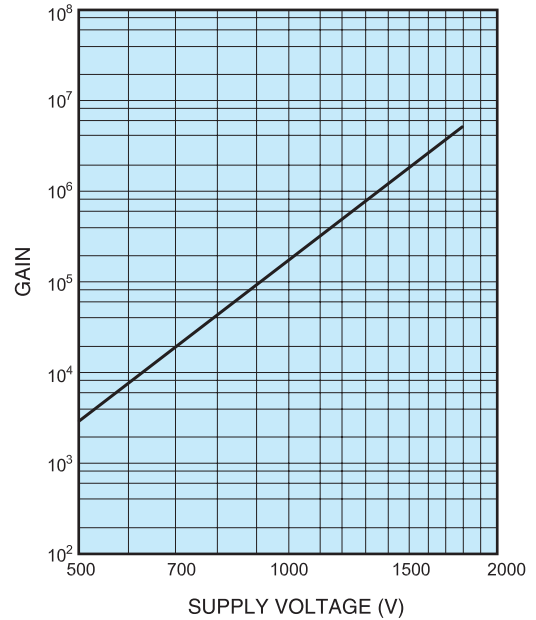
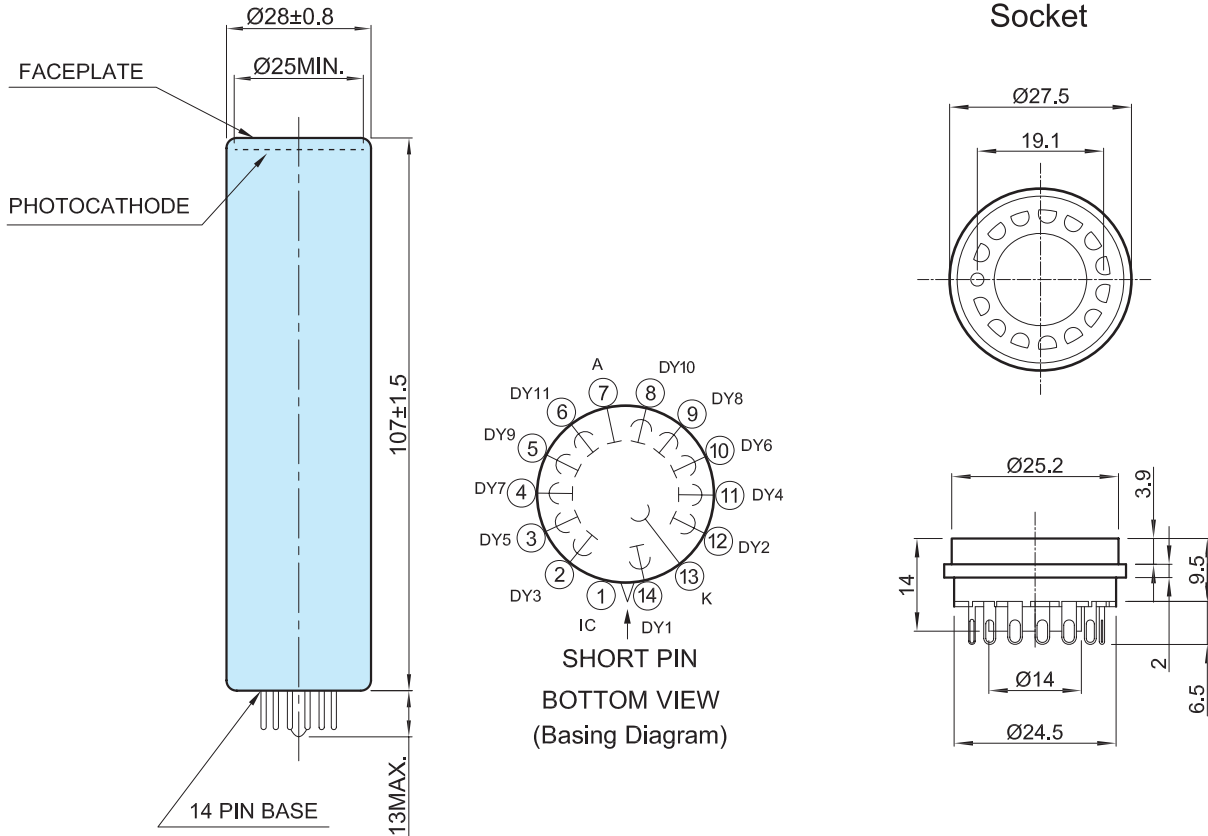


Figure 3: Dimensional Outline and Basing Diagram (Unit: mm)



BEIJING ENERGY

WEB SITE www.beijing-energy.com

Beijing Energy Science & Technology Co., Ltd.

ADD: 3F, Building C, BeiQiJia Industry Base, Changping District, Beijing, China, 102209

TEL: +86-10-6975 1218 / +8613911739991

FAX: +86-10-6975 1261

E-mail: Beijing_Energy@163.com